

BLUE data logger for water network diagnosis



The most versatile logger on the market

Battery powered and compact data logger allowing you to record many different parameters (pulse count, Modbus flow meter, 4-20mA pressure sensor, ...).

The **BLUE** logger can be equipped with an interchangeable communication card (2G, LTE-M or NB-IoT) or a LoRaWAN communication card to send data to a SCADA.



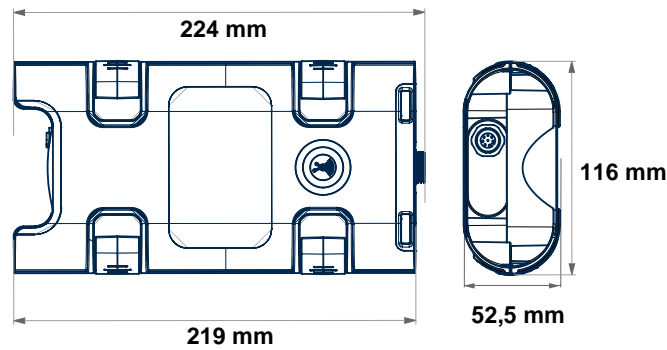
- **Quick and easy installation**
- **Battery powered logger with a 500 000 measures memory**
- **2x digital contact inputs or counter 100 Hz max (Ready for 4 digital inputs)**
- **2x 4-20 mA inputs**
- **1x Modbus RS485 interface**
- **1x open collector output**
- **Built-in absolute pressure sensor 0-25 bar option**
- **Drinking water certification : NSF/ANSI 61/372 -MH60087**
- **Configuration by radio on-site**
- **Communication option by 2G / 4G (LTE-M - NB-IoT) / LoRaWAN**

Data Logger memory	500 000 measurements
Inputs	2x pulse inputs 100 Hz 2x 4-20mA inputs 1x RS485 Modbus inputs (if not used as output)
Outputs	1x Open collector 1x Modbus output (If not already used as input)
Connector	M12 12 points
Antennas : radio / cellular	Internal radio antenna, and internal / external cellular antenna
Communication protocols	FTPS, HTTPS, COAP or MQTTS
Logger Housing	PA12 50% glass fiber
Sealing grade	IP68 : 2m / 100 days
Energy	Battery : 3,6V 34Ah
Configuration	Wireless configuration kit (PN : MOC00001 or WijiKey) that includes the software AVELOUR
Dimensions and weight	224 x 116 mm for a thickness of 52,5 mm 700g (with battery and cellular card)
Operating T°	- 20 to + 70°C
Certifications	 

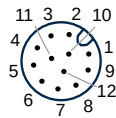
Blue logger part numbers	
BLUEV4-80	Battery powered logger Data download by radio on-site
Optional cellular communication card	
BLUE-82-LTE	Battery powered logger + radio / 2G / 4G (LTE-M / NB-IOT)
BLUE-82-LP1	Battery powered logger + radio + LoRaWAN



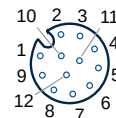
Accessory referencies	
D0I00137	Cord M12 12 Pts male / bare wires for Blue dataloggers - cable 3 m
D0I00138	Cord Modbus Blue dataloggers / flowmeter krohne - cable 3 m. Modbus connectivity
D0I00139	Cord multifonctions Blue dataloggers / flowmeter ABB - cable 3 m. Modbus connectivity and counting
GOD00051	Junction box M12 12 Pts male / 3x embases M12 12Pts fem - cable 0.25 m



Connector wiring:



Male



Female

Cable colors	Brown ●	Blue ●	White ○	Green ●	Pink ●	Yellow ●
PIN number	1	2	3	4	5	6
Signal	GND	AI 1	V in	V out	AI 2	Input or output
Features	Ground	Current 1	External power or battery (5V...30V)	Power 5V...18V* (internal battery) or Switch Vout=Vin	Current 2	RS485-H
Type		4-20 mA	Power Supply in	Power Supply out	4-20 mA	Modbus

* 1,8 W maximum on Vout, if external sensor connected and powered by internal battery (adjustable voltage by software).

Cable colors	Black ●	Grey ●	Red ●	Purple ●	Grey / Pink ● / ●	Blue / Red ● / ●
PIN number	7	8	9	10	11	12
Signal	DI 1	Input or output	Open drain output	DI 2	DI 3	DI 4
Features	Digital 1 / Counter 1 100 Hz	RS485-L	Ground contact	Digital 2 / Counter 2 100 Hz	Digital 3 / Counter 3 100 Hz	Digital 4 / Counter 4 100 Hz
Type	Digital	Modbus	Open drain (1A/30V)	Digital	Digital	Digital